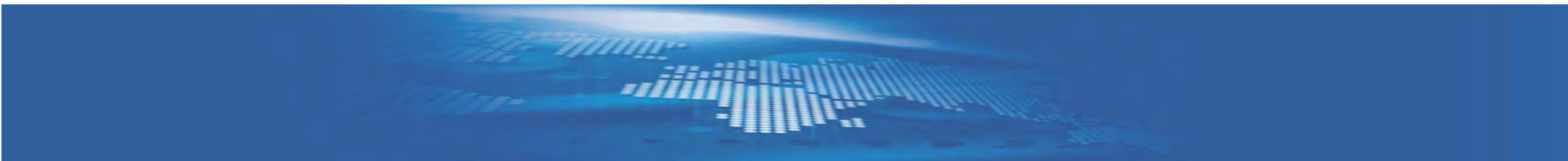


Product Solution and Applications



Aviation Industry



High Speed Train Seat



Automotive Industry



Home Automation



Outdoor Equipment



Medical System



Mobile Telecom



Industrial Automation



Commercial Machine



PRODUCT CATALOG

电机系列 MOTOR SERIES

步进电机 STEP MOTOR	S13	01	直流无刷电机 DC BRUSHLESS MOTOR	ZWS40T-002	16
直流无刷电机 DC BRUSHLESS MOTOR	SWC16T	02	空心杯电机 CORELESS MOTOR	SYK40S-01	17
步进电机 STEP MOTOR	S20L	03	直流无刷电机 DC BRUSHLESS MOTOR	ZWS42T-002	18
直流无刷电机 DC BRUSHLESS MOTOR	ZWS22U-001	04	同步电机 SYNCHRONOUS MOTOR	S50R	19
直流无刷电机 DC BRUSHLESS MOTOR	ZWX22R-01	05	同步电机 SYNCHRONOUS MOTOR	S59R	20
直流无刷电机 DC BRUSHLESS MOTOR	ZWS28T-017	06	同步电机 SYNCHRONOUS MOTOR	SUVR	21
直流无刷电机 DC BRUSHLESS MOTOR	ZWS30Q-001	07	直流无刷电机 DC BRUSHLESS MOTOR	ZWS57R-001	22
直流无刷电机 DC BRUSHLESS MOTOR	ZWS28S-003	08	直流电机 DC MOTOR	ZYT63C-002	23
直流无刷电机 DC BRUSHLESS MOTOR	ZWS37S-002	09	直流电机 DC MOTOR	ZY25-1	24
同步电机 SYNCHRONOUS MOTOR	UBS1	10	直流电机 DC MOTOR	ZYT077C-004	25
步进电机 STEP MOTOR	S20	11	直流无刷电机 DC BRUSHLESS MOTOR	ZWS70C-001	26
直线步进电机 LINEAR STEP MOTOR	SL28	12	直流无刷电机 DC BRUSHLESS MOTOR	ZWS78S-001	27
同步电机 SYNCHRONOUS MOTOR	UBR1	13	直流电机 DC MOTOR	ZYT80U-001	28
步进电机 STEP MOTOR	UBD	14	直流无刷电机 DC BRUSHLESS MOTOR	ZWS115A-001	29
同步电机 SYNCHRONOUS MOTOR	S42R	15	直流无刷电机 DC BRUSHLESS MOTOR	ZWS145A-002	30

电机系统 MOTOR SYSTEM

S08	31	ZWX40T-CD100-01A	56
ZWS15U-CS-001	32	ZWX40T-CD90-01B	57
S16BG216	33	ZYT077U-CS-002	58
S16LG144	34	S20LG45	59
S20LG71.7	35	ZYT28T-CS-001	60
S20LG64	36	ZYT28T-CS-010	61
DC2032A-G128A1	37	ZWS28T-CS-011	62
ZYT22U-CS-002	38	ZWS28T-CS-012	63
ZYT22W-CS-001	39	ZYT28T-CS-025	64
ZYT28U-CS28	40	BY35-DF-003	65
ZYT30T-CS28	41	ZYT37C-CS-001	66
ZWS28S-CS-001	42	ZYT37T-CS-002	67
ZYT37W-CS-007	43	ZYT37T-CS-003	68
SWC16U-CS16-01	44	S13G30	69
ZWS22U-CS-001	45	3501	70
ZWS28U-CS-001	46	UBR+G	71
ZYT37T-CS36	47	S50+G	72
ZYT28T-CS28	48	S45BL	73
SY30T-CS-002	49	ZYT077U-CS-001	74
ZWS37S-CS-001	50	ZYT063T-4	75
ZWS38T-CS-001	51	ZYT37T-004	76
ZYT36T-CS28-02	52	ZWS53T-CS-001	77
ZYT36T-CS28	53	TY-RC02B-25-DC24	78
ZWX37U-CS36	54	汽车电子水泵	79
ZWX40T-CS36-01	55		

可根据客户要求提供定制化产品方案。
We can develop and make custom product according to customer's requirements.

STEP MOTOR

S13

◇ 应用 Application:

通信天线
Mobile Communication Antenna

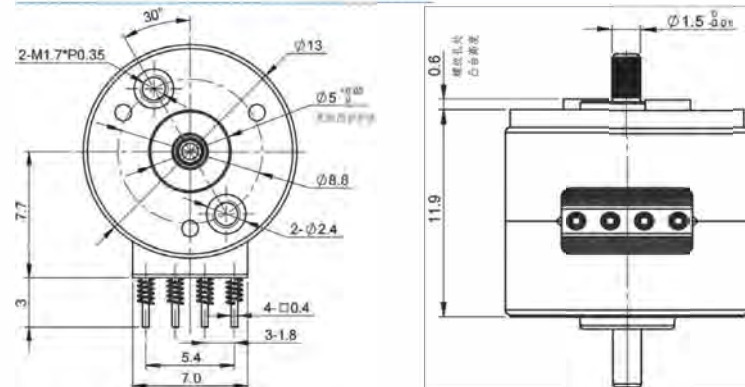
安防摄像头
CCTV



◇ 主要技术参数 Technical Data:

类型 Type	: 步进电机 Step Motor
额定电压 Rated Voltage	: 5V
相数 Phase Number	: 2
保持力矩 Holding Torque	: 11g.cm
步距角 Step Angle α	: 18°

◇ 外形尺寸 Outline Dimension:



DC BRUSHLESS MOTOR

Professional & Innovative Motor Manufacturer

SWC16T-01

◇ Application:

商用机器人
Commercial Robot

微型泵
Micro Pump

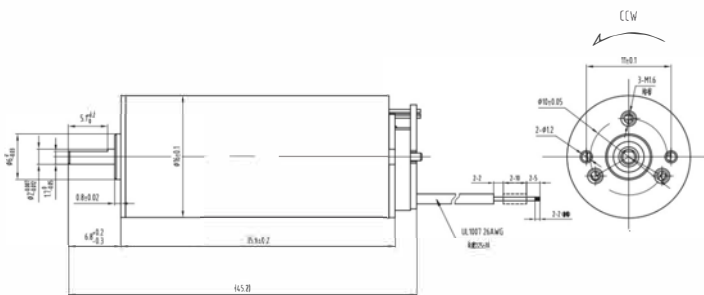
智能清洁器具
Intelligent Cleaning Appliances



◇ Technical Data:

类型 Type	: 直流无刷电机 DC Brushless Motor
额定电压 Rated Voltage	: 12 VDC
额定电流 Rated Current	: 0.35A Max
额定力矩 Rated Torque	: 18g.cm
额定转速 Rated Speed	: 12500rpm ± 10%

◇ Outline Dimension:



STEP MOTOR

Professional & Innovative Motor Manufacturer

S20L

◇ Application:

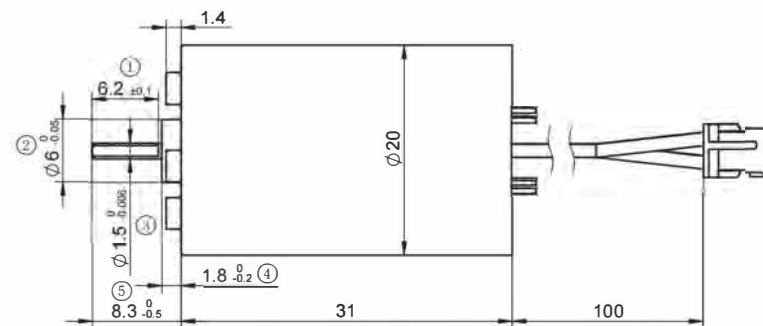
通信天线
Mobile Communication Antenna



◇ Technical Data:

类型 Type	: 步进电机 Step Motor
额定电压 Rated Voltage	: 10V
相数 Phase Number	: 2
额定力矩 Rated Torque	: 100g.cm
步距角 α Rated Speed	: 18°

◇ Outline Dimension:



ZWS22U-001

◇ Application:

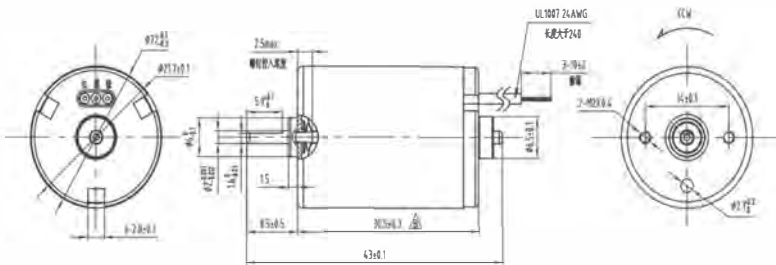
商用机器人 Commercial Robot	微型泵 Micro Pump
咖啡机 Coffee Machine	智能清洁器具 Intelligent Cleaning Appliances



◇ Technical Data:

类型 Type	: 直流无刷电机 DC Brushless Motor
额定电压 Rated Voltage	: 12 VDC
额定电流 Rated Current	: 0.4A Max
额定力矩 Rated Torque	: 0.018 N.m
额定转速 Rated Speed	: 12500 rpm
效率 Efficiency	: 75%

◇ 外形尺寸 Outline Dimension:



ZWX22R-01

◇ Application:

石油工业 Petroleum Industry



◇ Technical Data:

类型 Type	: 高温直流无刷电机 High Temperature DC Brushless Motor
额定电压 Rated Voltage	: 48 VDC
额定电流 Rated Current	: 1.1A Max
额定力矩 Rated Torque	: 0.055N.m
额定转速 Rated Speed	: 6100 rpm

◇ 外形尺寸 Outline Dimension:



SYNCHRONOUS MOTOR

Professional & Innovative Motor Manufacturer

UBS1

◇ Application:

水阀 医疗设备
Watervalve Medical equipment



◇ Technical Data:

类型 : 同步电机
Type Synchronous Motor

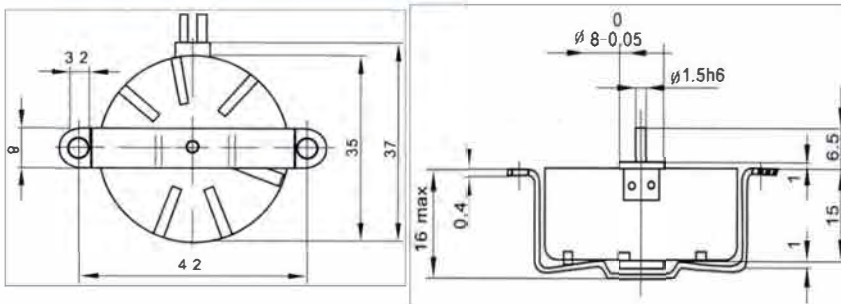
额定电压 : 12V
Rated Voltage

输出功率 : 0.021W
Power Output

额定力矩 : 0.054N.cm
Rated Torque

额定转速 : 375rpm
Rated Speed

◇ Outline Dimension:



STEP MOTOR

Professional & Innovative Motor Manufacturer

S20

◇ Application:

汽车 船舶组合仪表
Automobile Ship Combination Meter



◇ Technical Data:

类型 : 步进电机
Type Step Motor

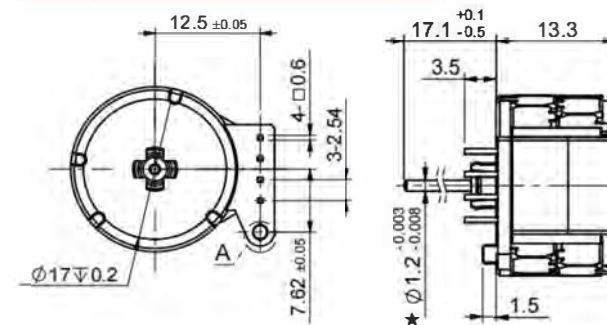
额定电压 : 5 VDC
Rated Voltage

相数 : 2
Phase

推力 : 18g.cm
Thrust

步距角 : 10°
Step Angle α

◇ Outline Dimension:



SL28

◇ Application:

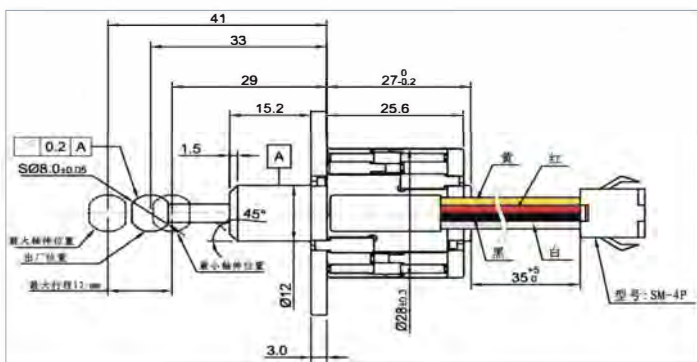
汽车大灯
Car headlights



◇ Technical Data:

类型 : 直线步进电机
Type : Linear Step Motor
额定电压 : 24V
Rated Voltage : 24V
行程 : 12mm
Tolerance : 12mm
推力 : 15 N
Thrust : 15 N
步距角 : 15°
Step Angle α : 15°
行程 : 12mm
Step Angle Tolerance : 12mm

◇ Outline Dimension:



UBR1

◇ Application:

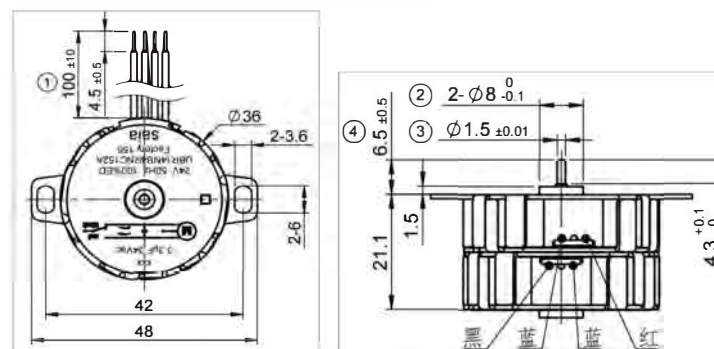
水阀
Water Valve
医疗设备
Medical equipment



◇ Technical Data:

类型 : 同步电机
Type : Synchronous Motor
额定电压 : 12V
Rated Voltage : 12V
输出功率 : 0.13W
Power Output : 0.13W
额定力矩 : 0.5N.cm
Rated Torque : 0.5N.cm
额定转速 : 250rpm
Rated Speed : 250rpm

◇ Outline Dimension:



STEP MOTOR

Professional & Innovative Motor Manufacturer

UBD

◇ Application:

水阀
Water valve

电动执行机构
Electric actuator



◇ Technical Data:

类型 : 步进电机
Type Step Motor

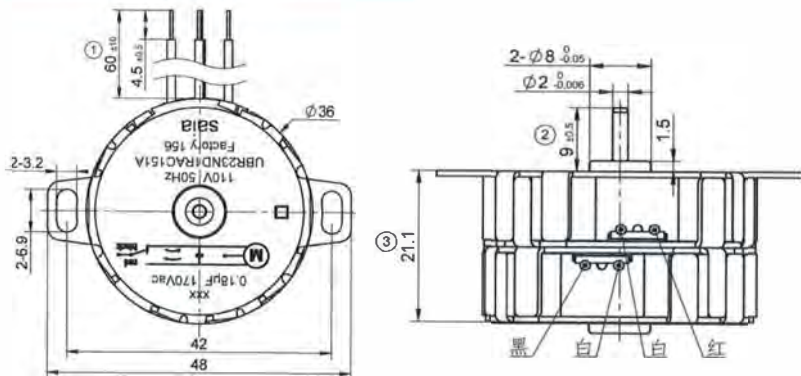
额定电压 : 12V
Rated Voltage

相数 : 2
Phase

额定力矩 : 1.5N.cm
Rated Torque

步距角 : 7.5°
Step Angle α

◇ Outline Dimension:



SYNCHRONOUS MOTOR

Professional & Innovative Motor Manufacturer

S42R

◇ Application:

水阀
Water Valve

医疗设备
Medical Equipment



◇ Technical Data:

类型 : 同步电机
Type Synchronous motor

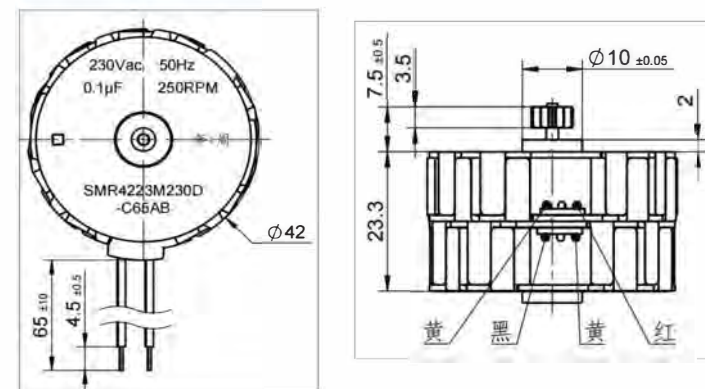
额定电压 : 12V
Rated Voltage

输出功率 : 0.2W
Power Output

运行力矩 : 2 N.cm
Torque

转速 : 250 rpm
Speed

◇ Outline Dimension:



ZWS40T-002

◇ Application:

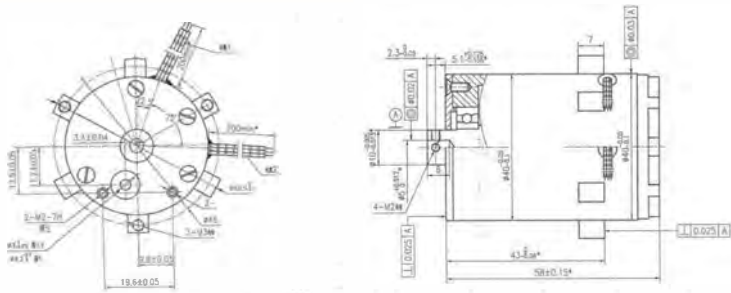
工业自动化
Industrial Automation

机器人
Robot

◇ Technical Data:

类型 Type	: 直流无刷电机 DC Brushless Motor
额定电压 Rated Voltage	: 24 VDC
额定电流 Rated Current	: 0.5A Max
额定力矩 Rated Torque	: 0.06 N.m
额定转速 Rated Speed	: 8000 rpm
效率 Efficiency	: 75%

◇ Outline Dimension:



SYK40S-01

◇ Application:

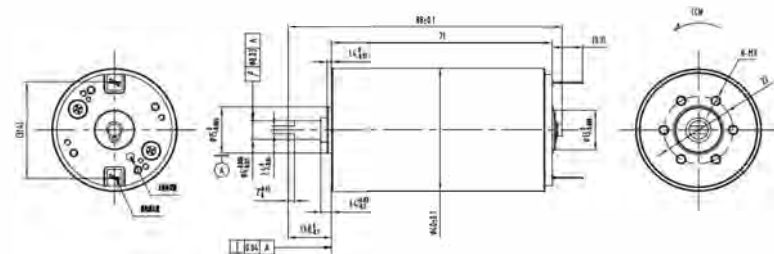
医疗
Medical

自动化设备
Automation Equipment

◇ Technical Data:

类型 Type	: 空心杯电机 Coreless Motor
额定电压 Rated Voltage	: 28.5VDC
额定电流 Rated Current	: 3.6A Max
额定力矩 Rated Torque	: 0.09N.m
额定转速 Rated Speed	: 9100rpm

◇ Outline Dimension:



SYNCHRONOUS MOTOR

Professional & Innovative Motor Manufacturer

S59R

◇ Application:

水阀
Water valve

电动执行机构
Electric actuator



◇ Technical Data:

类型 : 同步电机
Type : Synchronous Motor

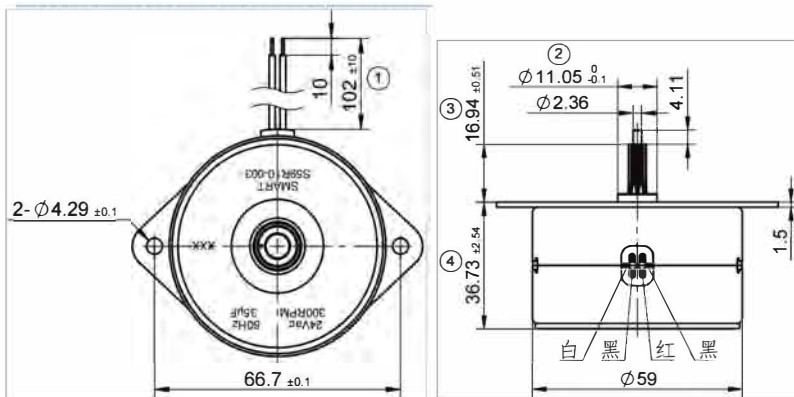
额定电压 : 12V
Rated Voltage

输出功率 : 2W
Power Output

额定力矩 : 10N.cm
Rated Torque

额定转速 : 250rpm
Rated Speed

◇ Outline Dimension:



SYNCHRONOUS MOTOR

Professional & Innovative Motor Manufacturer

SUVR

◇ Application:

水阀
Water valve

电动执行机构
Electric actuator



◇ Technical Data:

类型 : 同步电机
Type : Synchronous Motor

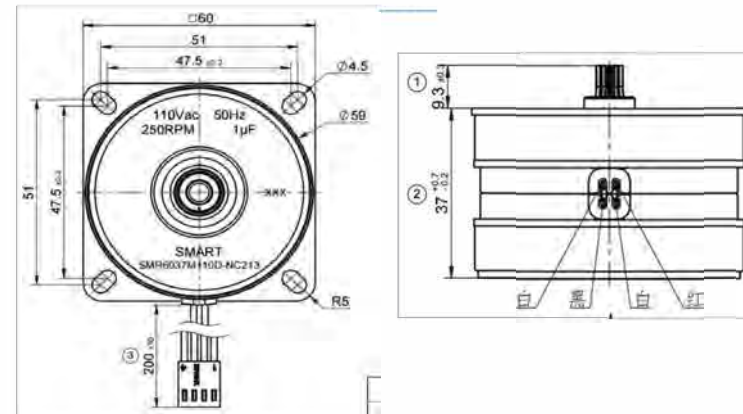
额定电压 : 12V
Rated Voltage

输出功率 : 2W
Power Output

额定力矩 : 10N.cm
Rated Torque

额定转速 : 250rpm
Rated Speed

◇ Outline Dimension:



ZWS57R-001

◇ Application:

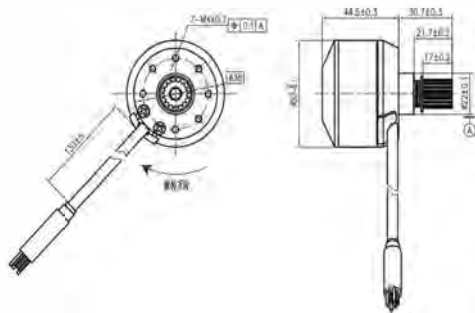
滑板车 模型船
Scooter Boat



◇ Technical Data:

类型	: 直流无刷电机
Type	: DC Brushless Motor
额定电压	: 40 VDC
Rated Voltage	: 40 VDC
额定电流	: 20A Max
Rated Current	: 20A Max
额定力矩	: 0.8 N.m
Rated Torque	: 0.8 N.m
额定转速	: 8500 rpm
Rated Speed	: 8500 rpm
效率	: 85%
Efficiency	: 85%

◇ Outline Dimension:



ZYT63C-002

◇ Application:

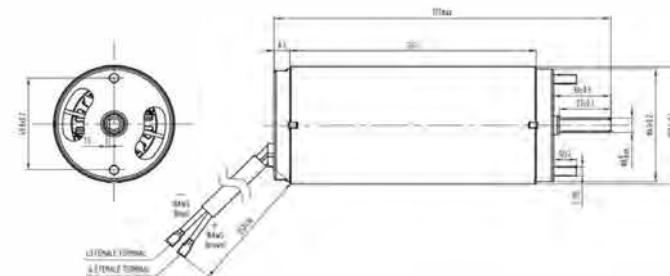
工业自动化
Industrial Automation



◇ Technical Data:

类型	: 直流电机
Type	: DC Motor
额定电压	: 230 VDC
Rated Voltage	: 230 VDC
额定电流	: 0.62A Max
Rated Current	: 0.62A Max
额定力矩	: 0.27 N.m
Rated Torque	: 0.27 N.m
额定转速	: 2350rpm ± 10%
Rated Speed	: 2350rpm ± 10%

◇ Outline Dimension:



DC MOTOR

Professional & Innovative Motor Manufacturer

ZY25-1

◇ Application:

自动门
Automatic Door

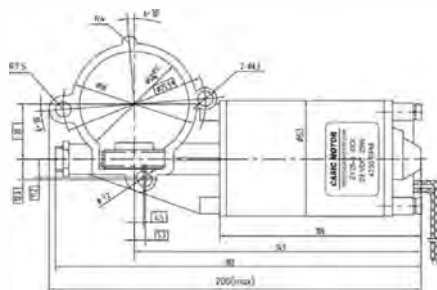
电动窗
Automatic Window



◇ Technical Data:

类型 Type	: 直流电机 DC Motor
额定电压 Rated Voltage	: 24 VDC
额定电流 Rated Current	: 1.2A Max
额定力矩 Rated Torque	: 0.05 N.m
额定转速 Rated Speed	: 4750 rpm

◇ Outline Dimension:



DC MOTOR

Professional & Innovative Motor Manufacturer

ZYT077C-004

◇ Application:

食物垃圾处理器
Food Waste Dispenser

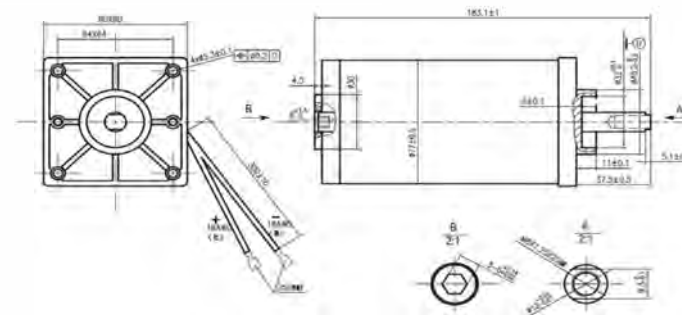
自动门
Automatic Door



◇ Technical Data:

类型 Type	: 直流电机 DC Motor
额定电压 Rated Voltage	: 310 VDC
额定电流 Rated Current	: 1.6A Max
额定力矩 Rated Torque	: 2.2 N.m
额定转速 Rated Speed	: 1200 rpm

◇ Outline Dimension:



ZWS70C-001

◇ Application:

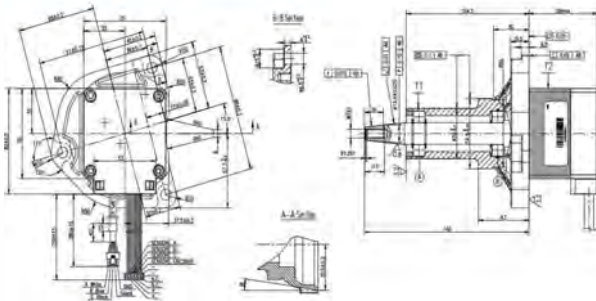
纺织机械
Textile Machine



◇ Technical Data:

类型	: 直流无刷电机
Type	: DC Brushless Motor
额定电压	: 310 VDC
Rated Voltage	: 310 VDC
额定电流	: 2A Max
Rated Current	: 2A Max
额定力矩	: 0.38 N.m
Rated Torque	: 0.38 N.m
额定转速	: 7500 rpm
Rated Speed	: 7500 rpm
效率	: 85%
Efficiency	: 85%

◇ Outline Dimension:



ZWS78S-001

◇ Application:

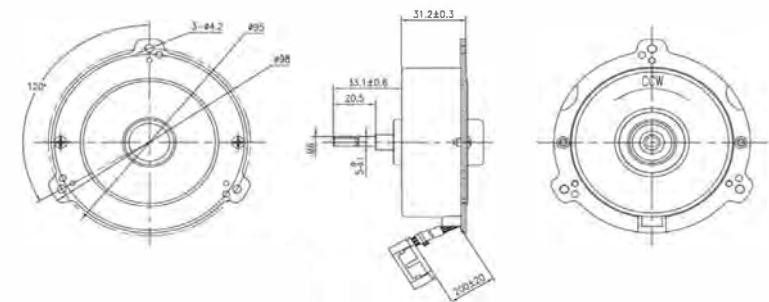
洗衣机	风扇
Washer	Fan
热水器	烘干机
Heater Shower	Dryer



◇ Technical Data:

类型	: 直流无刷电机
Type	: DC Brushless Motor
额定电压	: 30 VDC
Rated Voltage	: 30 VDC
额定电流	: 1A Max
Rated Current	: 1A Max
额定力矩	: 0.035 N.m
Rated Torque	: 0.035 N.m
额定转速	: 3600 rpm
Rated Speed	: 3600 rpm
效率	: 80%
Efficiency	: 80%

◇ Outline Dimension:



DC MOTOR

Professional & Innovative Motor Manufacturer

ZYT80U-001

◇ Application:

自动门
Automatic Door

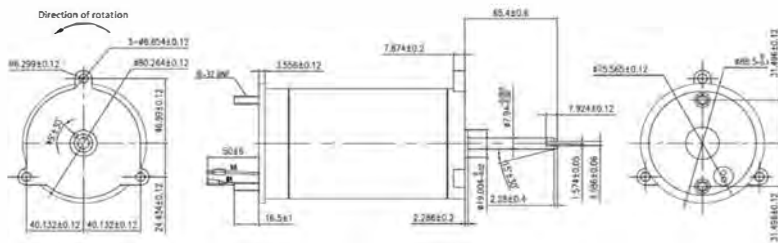
液压系统
Hydraulic System



◇ Technical Data:

类型 Type	: 直流电机 DC Motor
额定电压 Rated Voltage	: 12 VDC
额定电流 Rated Current	: 12.5A Max
额定力矩 Rated Torque	: 0.68 N.m
额定转速 Rated Speed	: 1400 rpm

◇ Outline Dimension:



DC BRUSHLESS MOTOR Professional & Innovative Motor Manufacturer

ZWS115A-001

◇ Application:

纺织机械
Textile Machine

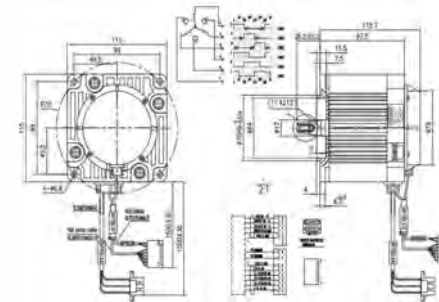
工业自动化
Industrial Automation



◇ Technical Data:

类型 Type	: 直流无刷电机 DC Brushless Motor
额定电压 Rated Voltage	: 310 VDC
额定电流 Rated Current	: 3.8A Max
额定力矩 Rated Torque	: 1 N.m
额定转速 Rated Speed	: 9000 rpm
效率 Efficiency	: 85%

◇ Outline Dimension:



BRUSHLESS DC MOTOR

Professional & Innovative Motor
Manufacturer

ZWS145A-002

◇ Application:

鼓风机
Household Blower

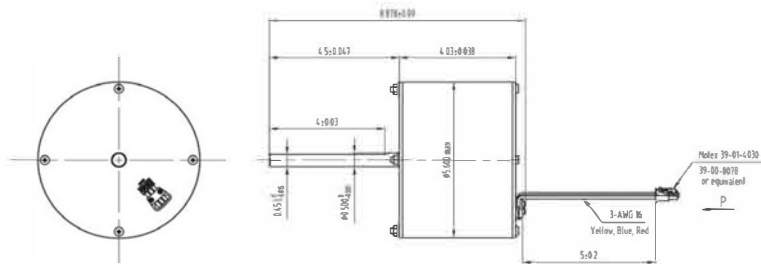
冷却水塔
Cooling Tower



◇ Technical Data:

类型 Type	: 直流无刷电机 DC Brushless Motor
额定电压 Rated Voltage	: 310 VDC
额定电流 Rated Current	: 1.5A Max
额定力矩 Rated Torque	: 3.34 N.m
额定转速 Rated Speed	: 1050 rpm
效率 Efficiency	: 85%

◇ Outline Dimension:



GEAR MOTOR

Professional & Innovative Motor Manufacturer

S08

◇ Application:

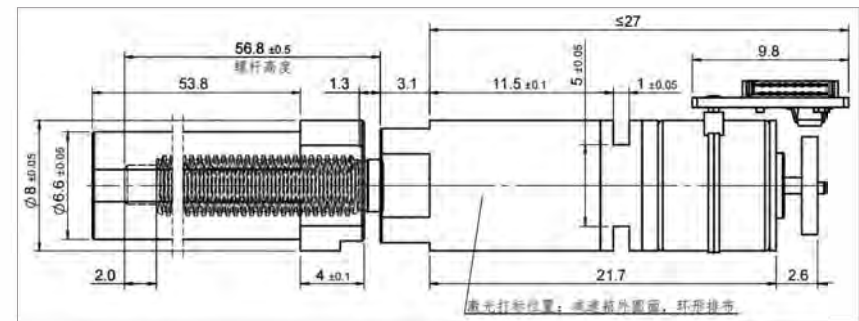
胰岛素注射器
Insulin syringe



◇ Technical Data:

类型 Type	: 步进电机 Step Motor
额定电压 Rated Voltage	: 3 VDC
行程 Tolerance	: 0.22A Max
推力 Thrust	: 9.5 N.m
步距角 Step Angle α	: 18°
减速比 Gear Ratio	: 592:1

◇ Outline Dimension:



GEAR MOTOR

Professional & Innovative Motor Manufacturer

ZWS15U-CS-001

◇ Application:

工业自动化
Industrial Automation

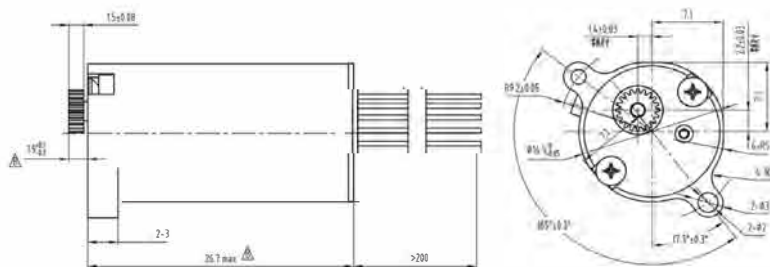
机器人
Robot



◇ Technical Data:

类型	: 直流无刷减速电机
Type	: DC Brushless Gearbox Motor
额定电压	: 12 VDC
Rated Voltage	: 12 VDC
额定电流	: 0.92A Max
Rated Current	: 0.92A Max
额定力矩	: 0.007 N.m
Rated Torque	: 0.007 N.m
额定转速	: 6500 rpm
Rated Speed	: 6500 rpm
减速比	: 2.75: 1
Gear Ratio	: 2.75: 1

◇ Outline Dimension:



GEAR MOTOR

Professional & Innovative Motor Manufacturer

S16BG216

◇ Application:

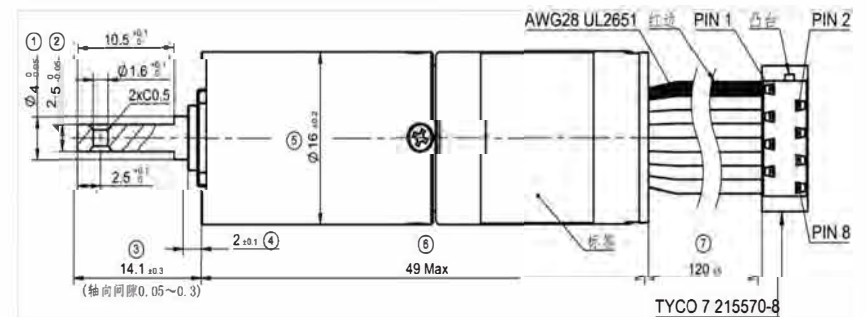
通信天线
Mobile Communication Antenna



◇ Technical Data:

类型	: 直流无刷电机
Type	: DC Brushless Motor
额定电压	: 9VDC
Rated Voltage	: 9VDC
额定电流	: 560 mA
Rated Current	: 560 mA
额定力矩	: 3 kgf.cm
Rated Torque	: 3 kgf.cm
额定转速	: 50rpm
Rated Speed	: 50rpm
减速比	: 216:1
Gear Ratio	: 216:1

◇ Outline Dimension:



GEAR MOTOR

Professional & Innovative Motor Manufacturer

S16LG144

◇ Application:

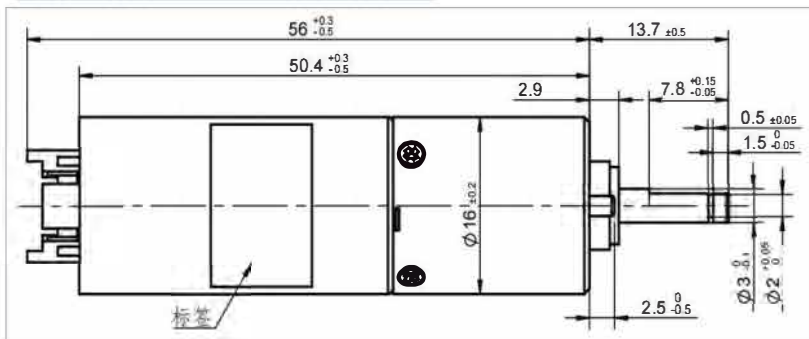
通信天线
Mobile Communication Antenna



◇ Technical Data:

类型	: 减速步进电机
Type	: Gearbox Step Motor
额定电压	: 12V
Rated Voltage	: 12V
相数	: 2
Phase Number	: 2
输出力矩	: 6 kgf.cm
Output Torque	: 6 kgf.cm
步距角	: 18°
Step Angle α	: 18°
减速比	: 144:1
Gear Ratio	: 144:1

◇ Outline Dimension:



GEAR MOTOR

Professional & Innovative Motor Manufacturer

S20LG71.7

◇ Application:

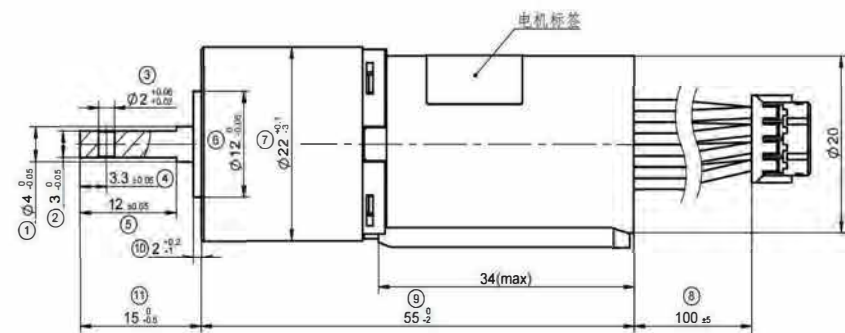
通信天线
Mobile Communication Antenna



◇ Technical Data:

类型	: 减速步进电机
Type	: Gearbox Step Motor
额定电压	: 9V
Rated Voltage	: 9V
相数	: 2
Phase Number	: 2
额定力矩	: 2.2 kgf.cm
Rated Torque	: 2.2 kgf.cm
步距角	: 18°
Step Angle α	: 18°
减速比	: 71.7:1
Gear Ratio	: 71.7:1

◇ Outline Dimension:



ZYT22U-CS-002

◇ Application:

通信天线
Mobile Communication Antenna

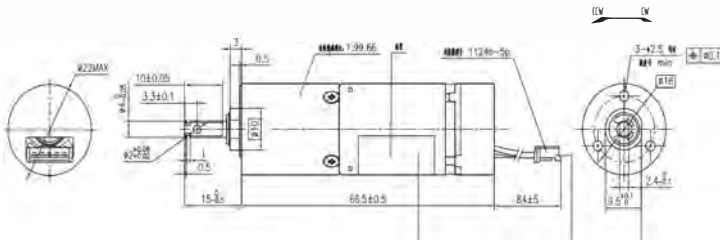
机器人
Robot



◇ Technical Data:

类型	: 直流减速电机
Type	DC Gearbox Motor
额定电压	: 9 VDC
Rated Voltage	
额定电流	: 0.6A Max
Rated Current	
额定力矩	: 0.2 N.m
Rated Torque	
额定转速	: 58 rpm
Rated Speed	
减速比	: 99.66: 1
Gear Ratio	

◇ Outline Dimension:



ZYT22W-CS-001

◇ Application:

通信天线
Mobile Communication Antenna

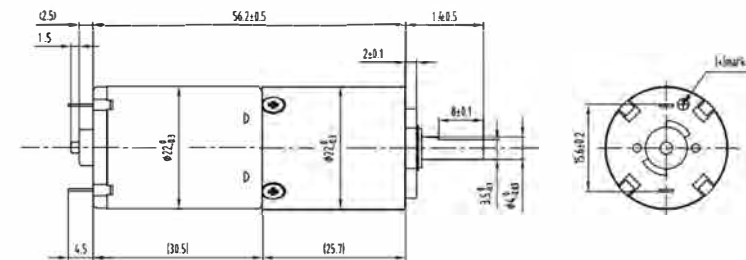
机器人
Robot



◇ Technical Data:

类型	: 直流减速电机
Type	DC Gearbox Motor
额定电压	: 4 VDC
Rated Voltage	
额定电流	: 0.9A Max
Rated Current	
额定力矩	: 0.29 N.m
Rated Torque	
额定转速	: 64 rpm
Rated Speed	
减速比	: 100: 1
Gear Ratio	

◇ Outline Dimension:



GEAR MOTOR

Professional & Innovative Motor Manufacturer

ZYT28U-CS28

◇ Application:

智能清洁器具
Intelligent Cleaning Appliances

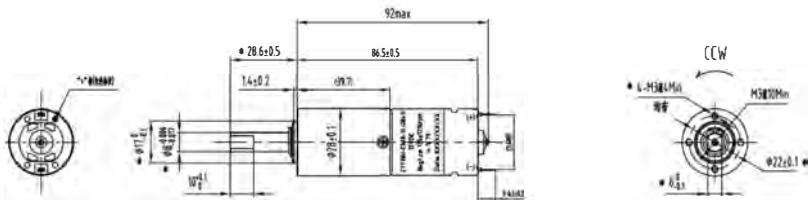
商用机器人
Commercial Robot



◇ Technical Data:

类型 Type	: 直流有刷减速电机 DC Brush Gearbox Motor
额定电压 Rated Voltage	: 12VDC
额定电流 Rated Current	: 2.3A Max
额定力矩 Rated Torque	: 9kg.cm
额定转速 Rated Speed	: 135 ± 10%rpm
减速比 Gear Ratio	: 79:1

◇ Outline Dimension:



GEAR MOTOR

Professional & Innovative Motor Manufacturer

ZYT30T-CS28

◇ Application:

智能清洁器具
Intelligent Cleaning Appliances

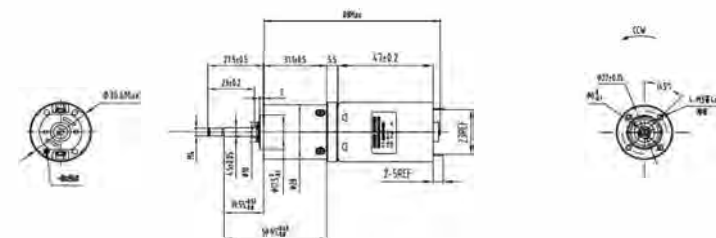
商用机器人
Commercial Robot



◇ Technical Data:

类型 Type	: 直流有刷减速电机 DC Brush Gearbox Motor
额定电压 Rated Voltage	: 18VDC
额定电流 Rated Current	: 2A Max
额定力矩 Rated Torque	: 0.35kg.cm
额定转速 Rated Speed	: 450 ± 10%rpm
减速比 Gear Ratio	: 22:1

◇ Outline Dimension:



GEAR MOTOR

Professional & Innovative Motor Manufacturer

ZWS28S-CS-001

◇ Application:

商用机器人
Commercial Robot

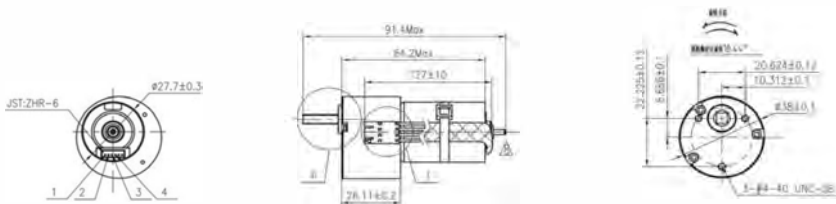
自动纸巾机
Electronic Paper Towel Dispenser



◇ Technical Data:

类型 Type	: 直流无刷减速电机 DC Brushless Gearbox Motor
额定电压 Rated Voltage	: 28.5 VDC
额定电流 Rated Current	: 1.15A Max
额定力矩 Rated Torque	: 13.8 kg.cm
额定转速 Rated Speed	: 72 rpm \pm 15%
减速比 Gear Ratio	: 92: 1

◇ Outline Dimension:



GEAR MOTOR

Professional & Innovative Motor Manufacturer

ZYT37W-CS-007

◇ Application:

商用机器人
Commercial Robot

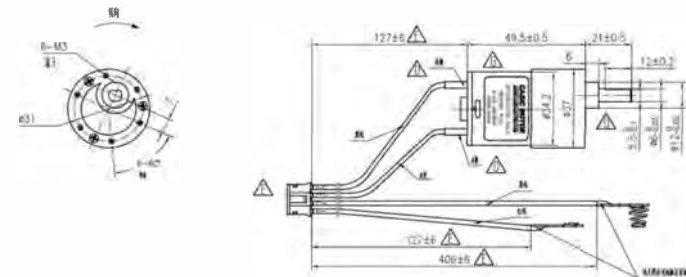
自动纸巾机
Electronic Paper Towel Dispenser



◇ Technical Data:

类型 Type	: 直流减速电机 DC Gearbox Motor
额定电压 Rated Voltage	: 6 VDC
额定电流 Rated Current	: 0.8A Max
额定力矩 Rated Torque	: 0.4 kg.cm
额定转速 Rated Speed	: 350 rpm \pm 10%
减速比 Gear Ratio	: 10: 1

◇ Outline Dimension:



GEAR MOTOR

Professional & Innovative Motor Manufacturer

SWC16U-CS16-01

◇ Application:

智能清洁器具
Intelligent Cleaning Appliances

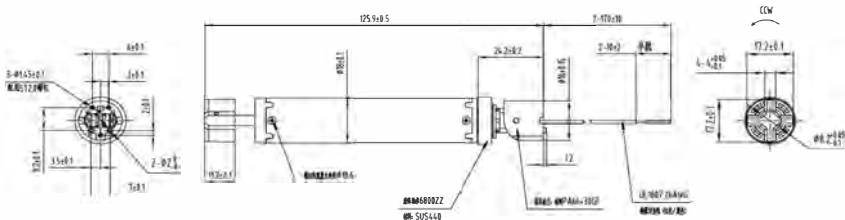
商用机器人
Commercial Robot



◇ Technical Data:

类型 Type	: 直流无刷减速电机 DC Brushless Gearbox Motor
额定电压 Rated Voltage	: 12 VDC
额定电流 Rated Current	: 0.5A Max
额定力矩 Rated Torque	: 0.11 kg.cm
额定转速 Rated Speed	: 910 rpm \pm 10%
减速比 Gear Ratio	: 12.5: 1

◇ Outline Dimension:



GEAR MOTOR

Professional & Innovative Motor Manufacturer

ZWS22U-CS-001

◇ Application:

智能清洁器具
Intelligent Cleaning Appliances

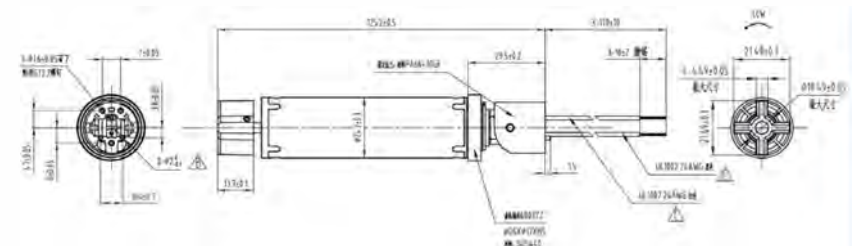
商用机器人
Commercial Robot



◇ Technical Data:

类型 Type	: 直流无刷减速电机 DC Brushless Gearbox Motor
额定电压 Rated Voltage	: 12 VDC
额定电流 Rated Current	: 1A Max
额定力矩 Rated Torque	: 0.11 kg.cm
额定转速 Rated Speed	: 910 rpm \pm 10%
减速比 Gear Ratio	: 13.73: 1

◇ Outline Dimension:



GEAR MOTOR

Professional & Innovative Motor Manufacturer

ZWS37S-CS-001

◇ Application:

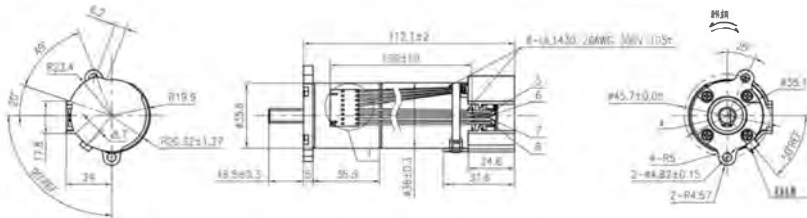
商用机器人
Commercial Robot



◇ Technical Datas:

类型	: 直流无刷减速电机
Type	DC Brushless Gearbox Motor
额定电压	: 28.5 VDC
Rated Voltage	
额定电流	: 2A Max
Rated Current	
额定力矩	: 5.76 kg.cm
Rated Torque	
额定转速	: 450 rpm ± 45
Rated Speed	
减速比	: 25: 1
Gear Ratio	

◇ Outline Dimension:



GEAR MOTOR

Professional & Innovative Motor Manufacturer

ZWS38T-CS-001

◇ Application:

航空座椅
VIP Seat of Aircraft Cabin

机器人
Robot

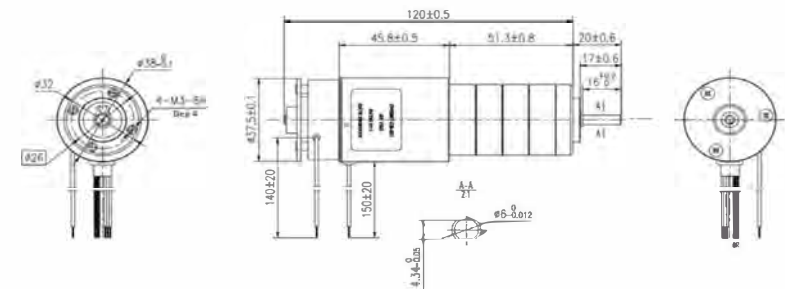
高铁座椅
VIP Seat of High Speed Train



◇ Technical Datas:

类型	: 直流无刷减速电机
Type	DC Brushless Gearbox Motor
额定电压	: 24 VDC
Rated Voltage	
额定电流	: 0.25A Max
Rated Current	
额定力矩	: 1.8 N.m
Rated Torque	
额定转速	: 89 rpm
Rated Speed	
减速比	: 19:1, 25:1, 46:1, 71:1, 79:1, 93:1, 130:1, 195:1
Gear Ratio	

◇ Outline Dimension:



GEAR MOTOR

Professional & Innovative Motor Manufacturer

ZYT36T-CS28-02

◇ Application:

智能清洁器具
Intelligent Cleaning Appliances

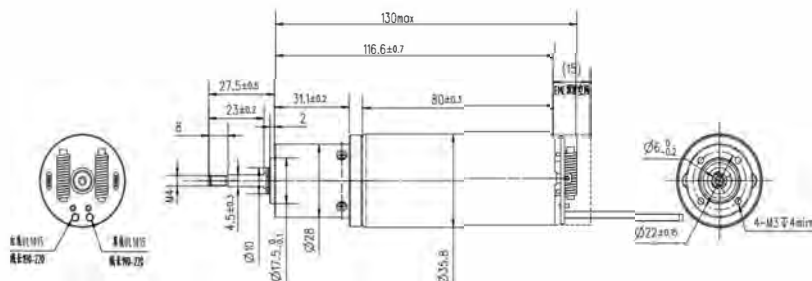
商用机器人
Commercial Robot



◇ Technical Data:

类型	: 直流有刷减速电机
Type	: DC Brush Gearbox Motor
额定电压	: 18 VDC
Rated Voltage	
额定电流	: 2.2 A Max
Rated Current	
额定力矩	: 3.5 kg.cm
Rated Torque	
额定转速	: 520 rpm
Rated Speed	
减速比	: 22: 1
Gear Ratio	

◇ Outline Dimension:



GEAR MOTOR

Professional & Innovative Motor Manufacturer

ZYT36T-CS28

◇ Application:

智能清洁器具
Intelligent Cleaning Appliances

商用机器人
Commercial Robot



◇ Technical Data:

类型	: 直流有刷减速电机
Type	: DC Brush Gearbox Motor
额定电压	: 18VDC
Rated Voltage	
额定电流	: 3.5A Max
Rated Current	
额定力矩	: 8kg.cm
Rated Torque	
额定转速	: 430±10%rpm
Rated Speed	
减速比	: 22: 1
Gear Ratio	

◇ Outline Dimension:



GEAR MOTOR

Professional & Innovative Motor Manufacturer

ZWX37U-CS36

◇ Application:

智能清洁器具
Intelligent Cleaning Appliances

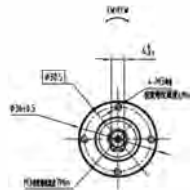
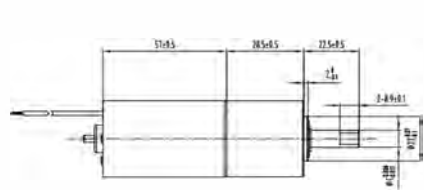
商用机器人
Commercial Robot



◇ Technical Data:

类型 Type	: 直流无刷减速电机 DC Brushless Gearbox Motor
额定电压 Rated Voltage	: 14.5VDC
额定电流 Rated Current	: 2A Max
额定力矩 Rated Torque	: 1.75kg.cm
额定转速 Rated Speed	: 1000±10%rpm
减速比 Gear Ratio	: 5:1

◇ Outline Dimension:



GEAR MOTOR

Professional & Innovative Motor Manufacturer

ZWX40T-CS36-01

◇ Application:

飞机VIP座椅
VIP seat of Plane

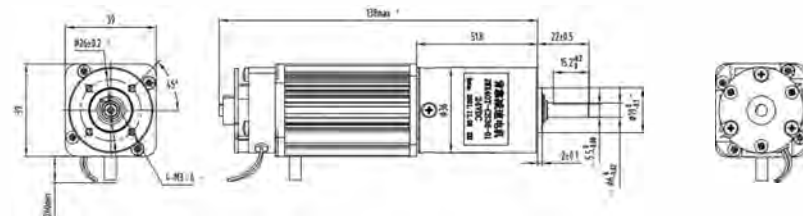
高铁座椅
VIP seat of High Speed Train



◇ Technical Data:

类型 Type	: 直流无刷减速电机 DC Brushless Gearbox Motor
额定电压 Rated Voltage	: 24VDC
额定电流 Rated Current	: 1.2A Max
额定力矩 Rated Torque	: 2.5N.m
额定转速 Rated Speed	: 45±10%rpm
减速比 Gear Ratio	: 78.9:1

◇ Outline Dimension:



GEAR MOTOR

Professional & Innovative Motor Manufacturer

ZWX40T-CD100-01A

◇ Application:

飞机VIP座椅
VIP seat of Plane

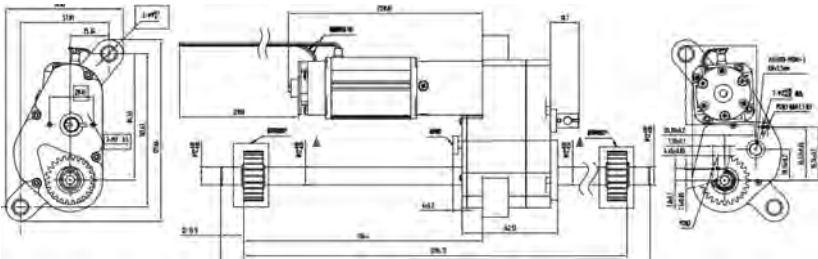
高铁座椅
VIP seat of High Speed Train



◇ Technical Data:

类型 Type	直流无刷减速电机 DC Brushless Gearbox Motor
额定电压 Rated Voltage	24VDC
额定电流 Rated Current	2.5A Max
额定力矩 Rated Torque	100mNm
额定转速 Rated Speed	3370±10%rpm
减速比 Gear Ratio	22.2:1

◇ Outline Dimension:



GEAR MOTOR

Professional & Innovative Motor Manufacturer

ZWX40T-CD90-01B

◇ Application:

飞机VIP座椅
VIP seat of Plane

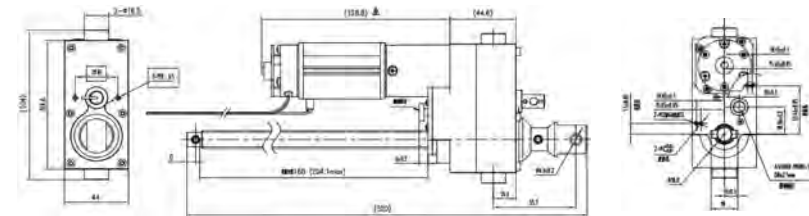
高铁座椅
VIP seat of High Speed Train



◇ Technical Data:

类型 Type	直流无刷减速电机 DC Brushless Gearbox Motor
额定电压 Rated Voltage	24VDC
额定电流 Rated Current	1A Max
额定力矩 Rated Torque	20mNm
额定转速 Rated Speed	4000±10%rpm
减速比 Gear Ratio	22.2:1

◇ Outline Dimension:



GEAR MOTOR

Professional & Innovative Motor Manufacturer

ZYT28T-CS-001

◇ Application:

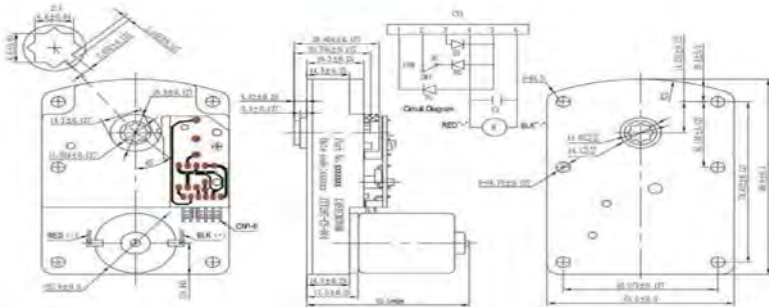
商用机器人
Commercial Robot



◇ Technical Data:

类型 Type	: 直流减速电机 DC Gearbox Motor
额定电压 Rated Voltage	: 24 VDC
额定电流 Rated Current	: 0.25A Max
额定力矩 Rated Torque	: 0.847 N.m
额定转速 Rated Speed	: 20 rpm
减速比 Gear Ratio	: 414.5: 1

◇ Outline Dimension:



GEAR MOTOR

Professional & Innovative Motor Manufacturer

ZYT28T-CS-010

◇ Application:

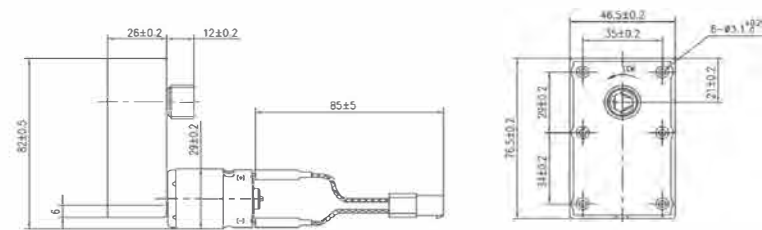
咖啡机
Coffee Vending Machine



◇ Technical Data:

类型 Type	: 直流减速电机 DC Gearbox Motor
额定电压 Rated Voltage	: 24 VDC
额定电流 Rated Current	: 0.12A Max
额定力矩 Rated Torque	: 0.2 N.m
额定转速 Rated Speed	: 45 rpm
减速比 Gear Ratio	: 135.45: 1

◇ Outline Dimension:



GEAR MOTOR

Professional & Innovative Motor Manufacturer

ZYT28T-CS-025

◇ Application:

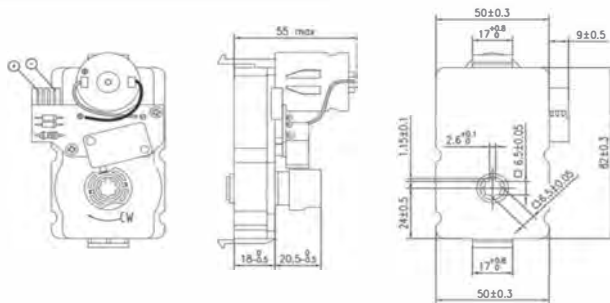
商用机器人
Commercial Robot



◇ 主要技术参数 Technical Data:

类型 Type	: 直流减速电机 DC Gearbox Motor
额定电压 Rated Voltage	: 24 VDC
额定电流 Rated Current	: 0.22A Max
额定力矩 Rated Torque	: 0.8 N.m
额定转速 Rated Speed	: 25 rpm
减速比 Gear Ratio	: 270.9: 1

◇ Outline Dimension:



GEAR MOTOR

Professional & Innovative Motor Manufacturer

BY35-DF-003

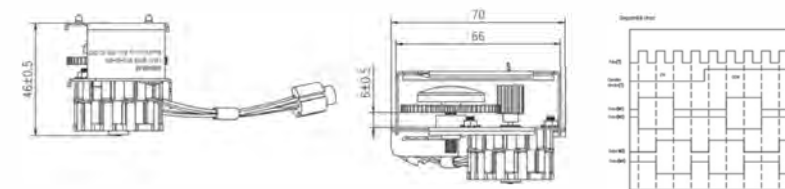
◇ Application: 燃气阀 Gas Valve



◇ Technical Data:

类型 Type	: 电动气阀 Electric Gas Valve
额定电压 Rated Voltage	: 3~24 VDC
无载电流 No-load Current	: 0.15A Max
额定力矩 Rated Torque	: 0.012 N.m
转向 Direction of Rotation	: CW/CCW
噪音 Noise	: 50 dB

◇ Outline Dimension:



GEAR MOTOR

Professional & Innovative Motor Manufacturer

ZYT37C-CS-001

◇ Application:

切换开关
Power Switch

工业设备
Industrial Equipment



◇ Technical Data:

类型 : 直流减速电机
Type DC Gearbox Motor

额定电压 : 310 VDC
Rated Voltage

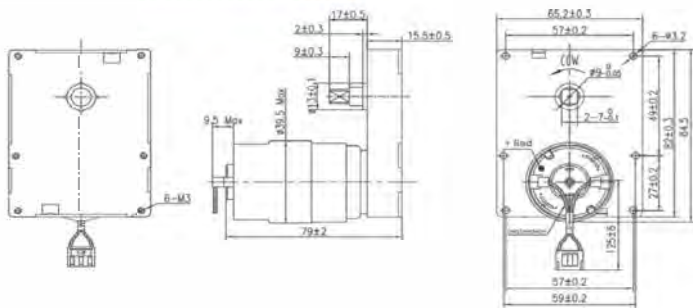
额定电流 : 0.3A Max
Rated Current

额定力矩 : 5 N.m
Rated Torque

额定转速 : 26 rpm
Rated Speed

减速比 : 352.7: 1
Gear Ratio

◇ Outline Dimension:



GEAR MOTOR

Professional & Innovative Motor Manufacturer

ZYT37T-CS-002

◇ Application:

商用机器人
Commercial Robot

游戏机
Game Machine



◇ Technical Data:

类型 : 直流减速电机
Type DC Gearbox Motor

额定电压 : 24 VDC
Rated Voltage

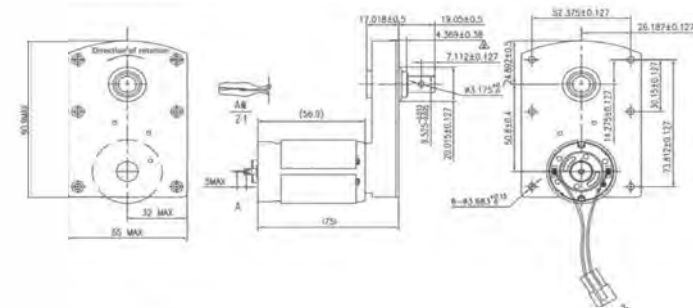
额定电流 : 0.6A Max
Rated Current

额定力矩 : 1.38 N.m
Rated Torque

额定转速 : 32 rpm
Rated Speed

减速比 : 109.2: 1
Gear Ratio

◇ Outline Dimension:



ZYT37T-CS-003

◇ Application:

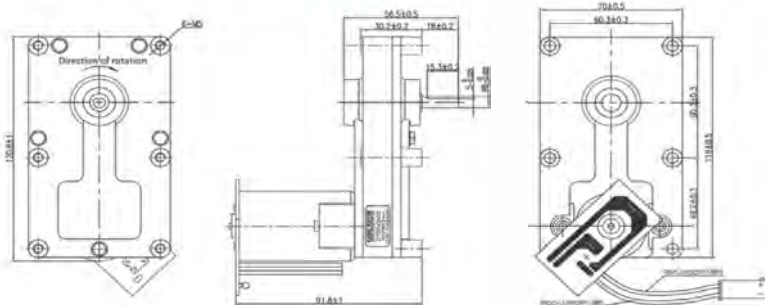
商用机器人
Commercial Robot



◇ Technical Data:

类型	: 直流减速电机
Type	DC Gearbox Motor
额定电压	: 24 VDC
Rated Voltage	
额定电流	: 0.35A Max
Rated Current	
额定力矩	: 3.7 N.m
Rated Torque	
额定转速	: 9.7 rpm
Rated Speed	
减速比	: 368.8: 1
Gear Ratio	

◇ Outline Dimension:



S13G30

◇ Application:

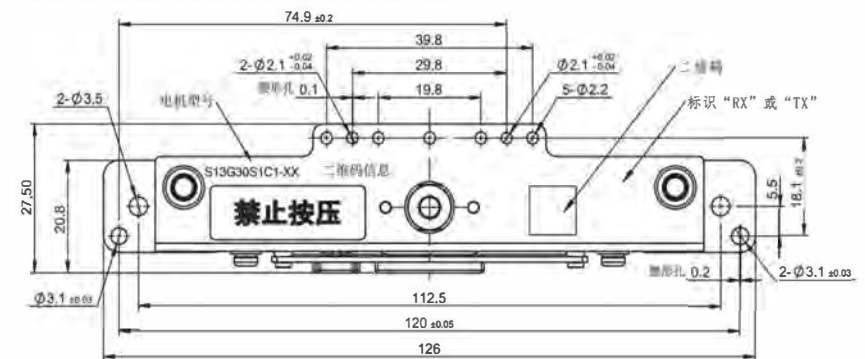
双工器
Duplexer



◇ Technical Data:

类型	: 电控执行器
Type	Electric actuator
额定电压	: 5V
Rated Voltage	
拉力	: 1 kgf.cm
Pulling	
每步位移量	: 0.00083333 per step
Displacement	
相电流	: 45mA
Phase current	

◇ Outline Dimension:



3501

◇ Application:

车辆
Vehicle

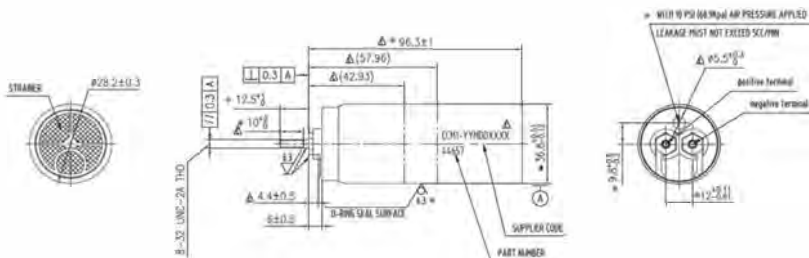
工业自动化
Industrial Automation



◇ Technical Data:

类型	: 电动油泵
Type	Electric Fuel Pump
额定电压	: 13.5 VDC
Rated Voltage	
额定电流	: 3.3A Max
Rated Current	
背压	: 1.2 PSI
Back Pressure	
流量	: 57.5 GPH
Rate of Flow	
寿命	: $\geq 6000H$
Life Time	

◇ Outline Dimension:



UBR+G

◇ Application:

阻旋料位控制器 电动执行器
Paddle wheel point level controls Electric actuator

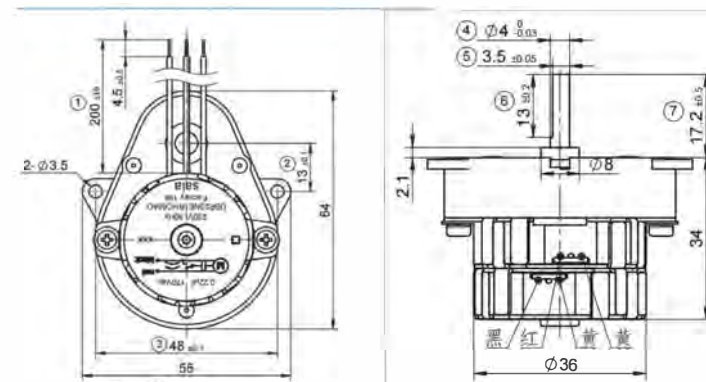
精密分析仪器
Precision analytical instrument



◇ Technical Data:

类型	: 减速步进电机
Type	Gearbox Step Motor
额定电压	: 600VAC
Rated Voltage	
相电阻	: 11KΩ
Phase Resistance	
负载力矩	: 120N.cm
Load Torque	
负载转速	: 1.1 rpm
Load Speed	
减速比	: 453.6:1
Gear Ratio	

◇ Outline Dimension:



S50+G

◇ Application:

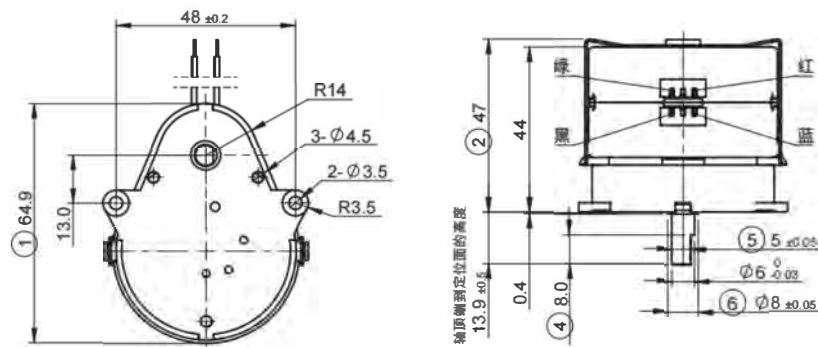
精密分析仪器 电动执行器
Precision analytical instrument Electric actuator



◇ Technical Data:

类型 : 减速步进电机
Type Gearbox Step Motor
额定电压 : 24VDC
Rated Voltage
相电阻 : 50KΩ
Phase Resistance
力矩 : 5 kgf.cm
Torque
步距角 : 15°
Step angle α
减速比 : 45:1
Gear Ratio

◇ Outline Dimension:



S45BL

◇ Application:

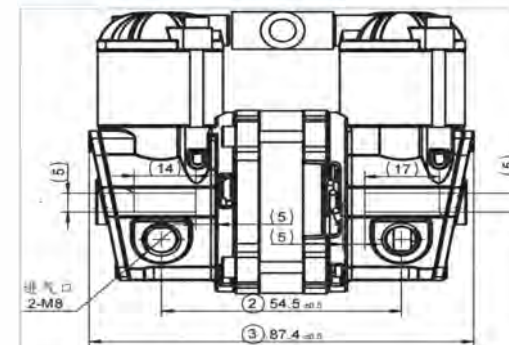
制氧机
Oxygenator



◇ Technical Data:

类型 : 压缩机
Type Compressor
额定电压 : 12VDC
Rated Voltage
额定电流 : 2.6A, 3.7A, 4.6A
Rated Current
额定功率 : 32W, 44W, 55W
Rated Power
最大流量 : 0.19cfm(5.4L/min), 0.35cfm(8.7L/min), 0.43cfm(11.5L/min)
Maximum Flow
转速 : 1000rpm, 2000rpm, 3000rpm
Speed

◇ Outline Dimension:



ZYT077U-CS-001

◇ Application:

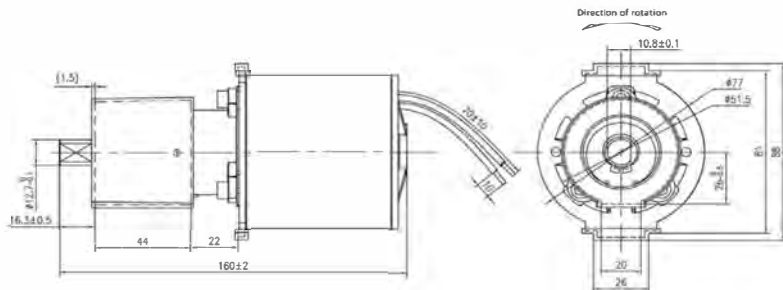
自动门 工业设备
Automatic Door Industrial Equipment



◇ Technical Data:

类型 : 直流减速电机
Type DC Gearbox Motor
额定电压 : 12 VDC
Rated Voltage
额定电流 : 16.5A Max
Rated Current
额定力矩 : 2.7 N.m
Rated Torque
额定转速 : 310 rpm
Rated Speed
减速比 : 16: 1
Gear Ratio

◇ Outline Dimension:



ZYT063T-4

◇ Application:

自动门 工业设备
Automatic Door Industrial Equipment



切换开关
Power Switch

◇ Technical Data:

类型 : 直流减速电机
Type DC Gearbox Motor
额定电压 : 24 VDC
Rated Voltage
额定电流 : 6A Max
Rated Current
额定力矩 : 24 N.m
Rated Torque
额定转速 : 20 rpm
Rated Speed
减速比 : 135: 1
Gear Ratio

◇ Outline Dimension:



MOTOR SYSTEM

Professional & Innovative Motor Manufacturer

ZYT37T-004

◇ Application:

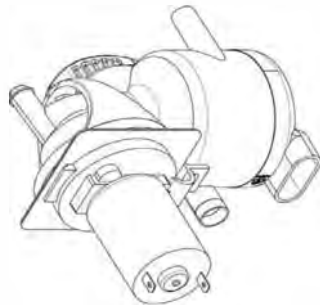
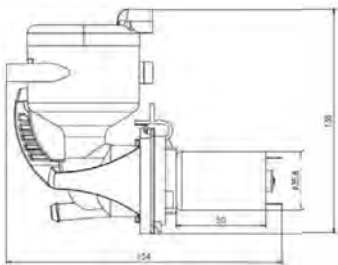
咖啡机
Coffee Machine



◇ Technical Data:

类型 Type	: 搅拌系统 Mixing System
额定电压 Rated Voltage	: 24 VDC
额定电流 Rated Current	: 2A Max
额定力矩 Rated Torque	: 0.028 N.m
额定转速 Rated Speed	: 11200 rpm
噪音 Noise	: 60 dB A

◇ Outline Dimension:



GEAR MOTOR SYSTEM

Professional & Innovative Motor Manufacturer

ZWS53T-CS-001

◇ Application:

工业设备
Industrial Equipment

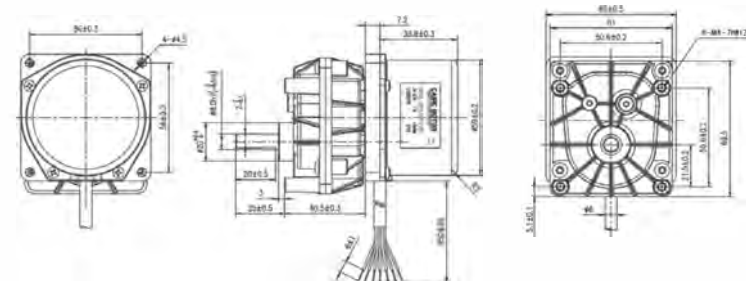
蠕动泵
Pump



◇ Technical Data:

类型 Type	: 直流无刷减速电机 DC Brushless Gearbox Motor
额定电压 Rated Voltage	: 24 VDC
额定电流 Rated Current	: 1.1A Max
额定力矩 Rated Torque	: 2 N.m
额定转速 Rated Speed	: 51 rpm
减速比 Gear Ratio	: 78.5: 1

◇ Outline Dimension:



MOTOR SYSTEM

Professional & Innovative Motor Manufacturer

TY-RC02B-25-DC24

制冷压缩机 Refrigeration Compressor

◇ Application:

空调
Air Conditioner

冷水机
Cooling-water Machine

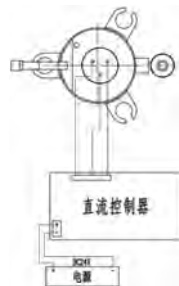
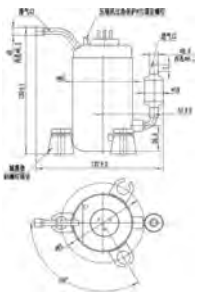
冰箱
Refrigerator

饮料机
Beverage Machine

◇ Technical Data:

类型 Type	直流无刷永磁同步电机 DC Brushless Synchronous Motor
额定电压 Rated Voltage	24VDC
转速 Speed	2300~3500r/min
制冷量 Refrigerating Capacity	150W~450W
输入功率 Input Power	60W~180W
输入电流 Input Current	2.5A~7.5A
制冷剂 Refrigerator	R134a

◇ Outline Dimension:



MOTOR SYSTEM

Professional & Innovative Motor Manufacturer

◇ Application:

Automobile Electronic Water Pump



info@zeiusa.com www.zeiusa.com ZEIUSA LLC